

# PARTS LIST

## CAUTION

- The parts identified by the  $\triangle$  symbol are important for the safety. Whenever replacing these parts, be sure to use specified ones to secure the safety .
- The parts not indicated in this Parts List and those which are filled with lines  $\text{—}$  in the Parts No. columns will not be supplied.
- P. W. Board Ass'y will not be supplied, but those which are filled with the Parts No. in the Parts No. columns will be supplied.

### ABBREVIATIONS OF RESISTORS, CAPACITORS AND TOLERANCES

RESISTORS		CAPACITORS	
C R	Carbon Resistor	C CAP.	Ceramic Capacitor
F R	Fusible Resistor	E CAP.	Electrolytic Capacitor
P R	Plate Resistor	M CAP.	Mylar Capacitor
V R	Variable Resistor	HV CAP.	High Voltage Capacitor
HV R	High Voltage Resistor	MF CAP.	Metalized Film Capacitor
MF R	Metal Film Resistor	MM CAP.	Metalized Mylar Capacitor
MG R	Metal Glazed Resistor	MP CAP.	Metalized Polystyrol Capacitor
MP R	Metal Plate Resistor	PP CAP.	Polypropylene Capacitor
OM R	Metal Oxide Film Resistor	PS CAP.	Polystyrol Capacitor
CMF R	Coating Metal Film Resistor	TF CAP.	Thin Film Capacitor
UNF R	Non-Flammable Resistor	MPP CAP.	Metalized Polypropylene Capacitor
CH V R	Chip Variable Resistor	TAN. CAP.	Tantalum Capacitor
CH MG R	Chip Metal Glazed Resistor	CH C CAP.	Chip Ceramic Capacitor
COMP. R	Composition Resistor	BP E CAP.	Bi-Polar Electrolytic Capacitor
LPTC R	Linear Positive Temperature Coefficient Resistor	CH AL E CAP.	Chip Aluminum Electrolytic Capacitor
		CH AL BP CAP.	Chip Aluminum Bi-Polar Capacitor
		CH TAN. E CAP.	Chip Tantalum Electrolytic Capacitor
		CH AL BP E CAP.	Chip Tantalum Bi-Polar Electrolytic Capacitor

TOLERANCES									
F	G	J	K	M	N	R	H	Z	P
±1%	±2%	±5%	±10%	±20%	±30%	+30% -10%	+50% -10%	+80% -20%	+100% -0%

## CONTENTS

- USING P.W. BOARD & REMOTE CONTROL UNIT ..... 32
- EXPLODED VIEW PARTS LIST ..... 32
- EXPLODED VIEW ..... 33
- PRINTED WIRING BOARD PARTS LIST
  - MAIN PW BOARD ASS'Y (SCG-1248A-H2) (With CRT SOCKET PWB) ..... 34
- REMOTE CONTROL UNIT PARTS LIST ..... 38
- PACKING ..... 39
- PACKING PARTS LIST ..... 39

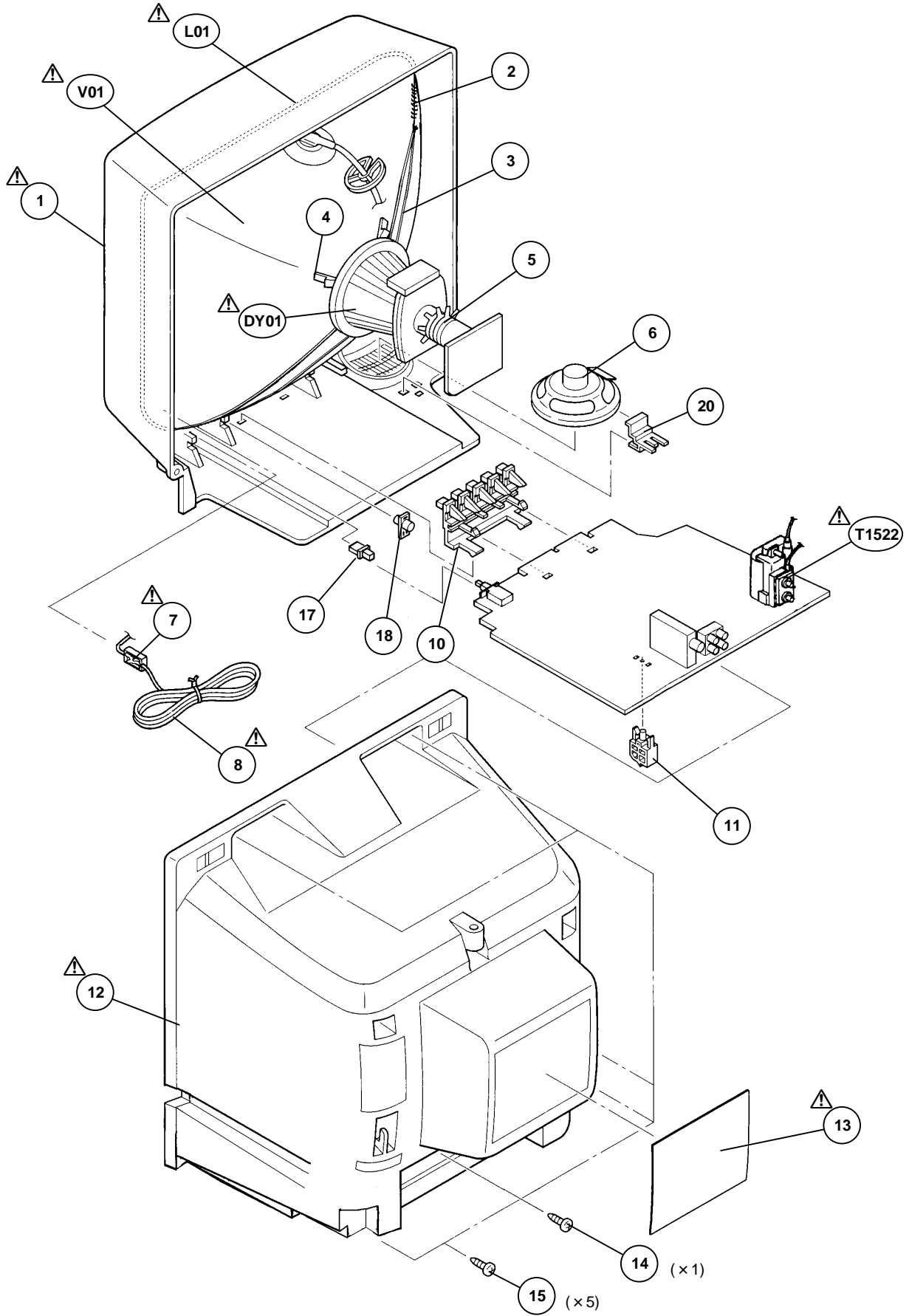
## USING P.W. BOARD & REMOTE CONTROL UNIT

Model	AV-14AM
P.W.B ASS'Y	
MAIN P.W.B	SCG-1248A-H2
REMOTE CONTROL UNIT	RM-C360-1H

## EXPLODED VIEW PARTS LIST

△ Ref. No.	Part No.	Part Name	Description
△ V01	A34JXV80X	PICTURE TUBE (C)	
△ DY01	CE20301-00A	DEFLECTION YOKE	
△ L01	QQW0096-001	DEGAUSSING COIL	
△ T1522	QQH0058-001	H. V. TRANSF.	
△ 1	LC10164-019A-H	FRONT CABINET	
2	A48457-3-H	SPRING	
3	CHGB0016-0A	BRAIDED WIRE	
4	CE42153-00AJ1	WEDGE	( × 3 )
5	CE40305-00B	P. C. MAGNET	
6	QAS0016-001	SPEAKER	
△ 7	CM47005-A01-H	CORD CLAMP	
△ 8	QMP40D0-200J5	POWER CORD	
10	LC30347-003A-H	CONTROL KNOB	
11	CM48144-002-H	P. W. B. STOPPER	
△ 12	LC10165-001C-H	REAR COVER	
△ 13	LC20377-001B-H	RATING LABEL	
14	QYSBSF3010Z	TAPPING SCREW	
15	QYSBSFG4016Z	TAPPING SCREW	( × 5 )
17	LC30348-003A-H	POWER KNOB	
18	LC30346-001B-H	REMOCON LENS	
20	LC30345-001A-H	SP HOLDER	

# EXPLODED VIEW



# PRINTED WIRING BOARD PARTS LIST

## MAIN P.W. BOARD ASS'Y (SCG-1248A-H2)

△ Symbol No.	Part No.	Part Name	Description
<b>RESISTOR</b>			
R1002-03	NRSA02J-221X	MG R	220Ω 1/10W J
R1004	NRSA02J-563X	MG R	56kΩ 1/10W J
R1102	NRSA02J-750X	MG R	75Ω 1/10W J
R1103	NRSA02J-100X	MG R	10Ω 1/10W J
R1109	NRSA02J-682X	MG R	6.8kΩ 1/10W J
R1110	NRSA02J-272X	MG R	2.7kΩ 1/10W J
R1111	NRSA02J-181X	MG R	180Ω 1/10W J
R1112	NRSA02J-100X	MG R	10Ω 1/10W J
R1113	NRSA02J-101X	MG R	100Ω 1/10W J
R1114	NRSA02J-472X	MG R	4.7kΩ 1/10W J
R1115	NRSA02J-222X	MG R	2.2kΩ 1/10W J
R1117	NRSA02J-0R0X	MG R	0.0Ω 1/10W J
R1118	NRSA02J-222X	MG R	2.2kΩ 1/10W J
R1120	NRSA02J-391X	MG R	390Ω 1/10W J
R1121	NRSA02J-221X	MG R	220Ω 1/10W J
R1159	NRSA02J-184X	MG R	180kΩ 1/10W J
R1161	NRSA02J-102X	MG R	1kΩ 1/10W J
R1162	NRSA02J-122X	MG R	1.2kΩ 1/10W J
R1163	NRSA02J-222X	MG R	2.2kΩ 1/10W J
R1164	NRSA02J-221X	MG R	220Ω 1/10W J
R1165	NRSA02J-220X	MG R	22Ω 1/10W J
R1166	NRSA02J-821X	MG R	820Ω 1/10W J
R1301	NRSA02J-221X	MG R	220Ω 1/10W J
R1302	NRSA02J-472X	MG R	4.7kΩ 1/10W J
R1303-05	NRSA02J-101X	MG R	100Ω 1/10W J
R1306	NRSA02J-221X	MG R	220Ω 1/10W J
R1307	NRSA02J-122X	MG R	1.2kΩ 1/10W J
R1308	NRSA02J-182X	MG R	1.8kΩ 1/10W J
R1312	NRSA02J-0R0X	MG R	0.0Ω 1/10W J
R1313-14	NRSA02J-102X	MG R	1kΩ 1/10W J
R1321	NRSA02J-152X	MG R	1.5kΩ 1/10W J
R1322	NRSA02J-272X	MG R	2.7kΩ 1/10W J
R1323	NRSA02J-103X	MG R	10kΩ 1/10W J
R1324	NRSA02J-102X	MG R	1kΩ 1/10W J
R1326	NRSA02J-101X	MG R	100Ω 1/10W J
R1327	NRSA02J-475X	MG R	4.7kΩ 1/10W J
R1341	NRSA02J-332X	MG R	3.3kΩ 1/10W J
R1345-46	NRSA02J-151X	MG R	150Ω 1/10W J
R1353	NRSA02J-151X	MG R	150Ω 1/10W J
R1354-56	NRSA02J-331X	MG R	330Ω 1/10W J
R1357-59	NRSA02J-101X	MG R	100Ω 1/10W J
R1360-61	QRZ0107-152Z	C R	1.5kΩ 1/2W K
R1362	QRZ0107-152Z	C R	1.5kΩ 1/2W K
R1363-65	QRL029J-123	OM R	12kΩ 2W J
R1366-68	NRSA02J-182X	MG R	1.8kΩ 1/10W J
R1372	NRSA02J-0R0X	MG R	0.0Ω 1/10W J
R1374	NRSA02J-392X	MG R	3.9kΩ 1/10W J
R1401	NRSA02J-103X	MG R	10kΩ 1/10W J
R1421-22	NRSA02J-122X	MG R	1.2kΩ 1/10W J
R1423	NRSA02J-331X	MG R	330Ω 1/10W J
R1424	NRSA02J-101X	MG R	100Ω 1/10W J
R1425	NRSA02J-471X	MG R	470Ω 1/10W J
R1426	NRSA02J-0R0X	MG R	0.0Ω 1/10W J
R1429	NRSA02J-103X	MG R	10kΩ 1/10W J
R1430	NRSA02J-823X	MG R	82kΩ 1/10W J
R1431	NRSA02J-103X	MG R	10kΩ 1/10W J
R1432-33	QRE121J-3R9Y	C R	3.9Ω 1/2W J
R1436	NRSA02J-823X	MG R	82kΩ 1/10W J
R1440	QRE121J-561Y	C R	560Ω 1/2W J
R1441	NRSA02J-822X	MG R	8.2kΩ 1/10W J
R1442	NRSA02J-103X	MG R	10kΩ 1/10W J
R1443	QRE121J-1R0Y	C R	1.0Ω 1/2W J
R1453	NRSA02J-272X	MG R	2.7kΩ 1/10W J
R1501	QRE121J-101Y	C R	100Ω 1/2W J
R1502	NRSA02J-0R0X	MG R	0.0Ω 1/10W J
R1503	NRSA02J-682X	MG R	6.8kΩ 1/10W J
R1521	NRSA02J-681X	MG R	680Ω 1/10W J
R1522	NRSA02J-103X	MG R	10kΩ 1/10W J

△ Symbol No.	Part No.	Part Name	Description
<b>RESISTOR</b>			
R1524	QRL03EJ-680X	OM R	68Ω 3W J
R1526	QRE121J-270Y	C R	27Ω 1/2W J
R1529	QRG029J-820	OM R	82 Ω 2W J
R1531	NRSA02J-103X	MG R	10kΩ 1/10W J
R1533-34	NRSA02J-332X	MG R	3.3kΩ 1/10W J
△ R1551	QRX01GJ-1R0	MF R	1.0Ω 1W J
R1552	QRJ146J-2R2X	C R	2.2Ω 1/4W J
R1554	QRE121J-182Y	C R	1.8kΩ 1/2W J
R1571	QRE121J-272Y	C R	2.7kΩ 1/2W J
R1573	QRT02EJ-1R5X	MF R	1.5Ω 2W J
R1574	QRT02EJ-2R7X	MF R	2.7Ω 2W J
R1576	QRE121J-223Y	C R	22kΩ 1/2W J
R1577	NRSA02J-182X	MG R	1.8kΩ 1/10W J
R1578	NRSA02J-103X	MG R	10kΩ 1/10W J
R1581	QRE121J-182Y	C R	1.8kΩ 1/2W J
R1582	NRSA02J-273X	MG R	27kΩ 1/10W J
R1583	NRSA02J-393X	MG R	39kΩ 1/10W J
R1651	NRSA02J-103X	MG R	10kΩ 1/10W J
R1652	NRSA02J-680X	MG R	68Ω 1/10W J
R1653	QRE121J-1R0Y	C R	1.0Ω 1/2W J
R1654	QRX029J-4R7	MF R	4.7Ω 2W J
R1656	NRSA02J-123X	MG R	12kΩ 1/10W J
R1657	NRSA02J-391X	MG R	390Ω 1/10W J
R1658-59	NRSA02J-102X	MG R	1kΩ 1/10W J
R1660	NRSA02J-103X	MG R	10kΩ 1/10W J
R1661-62	QRE121J-271Y	C R	270Ω 1/2W J
R1664	NRSA02J-221X	MG R	220Ω 1/10W J
R1665	NRSA02J-103X	MG R	10kΩ 1/10W J
R1704-05	NRSA02J-221X	MG R	220Ω 1/10W J
R1706-07	NRSA02J-561X	MG R	560Ω 1/10W J
R1708	NRSA02J-102X	MG R	1kΩ 1/10W J
R1709-14	NRSA02J-472X	MG R	4.7kΩ 1/10W J
R1715-16	NRSA02J-221X	MG R	220Ω 1/10W J
R1718	NRSA02J-561X	MG R	560Ω 1/10W J
R1719	NRSA02J-102X	MG R	1kΩ 1/10W J
R1720	NRSA02J-472X	MG R	4.7kΩ 1/10W J
R1721	NRSA02J-103X	MG R	10kΩ 1/10W J
△ R1723	QRZ9023-270	F R	27 Ω 2W J
R1724	NRSA02J-561X	MG R	560Ω 1/10W J
R1725	NRSA02J-102X	MG R	1kΩ 1/10W J
R1726	NRSA02J-472X	MG R	4.7kΩ 1/10W J
R1727	NRSA02J-153X	MG R	15kΩ 1/10W J
R1728-29	NRSA02J-102X	MG R	1kΩ 1/10W J
R1730	NRSA02J-103X	MG R	10kΩ 1/10W J
R1731	NRSA02J-472X	MG R	4.7kΩ 1/10W J
R1735	NRSA02J-391X	MG R	390Ω 1/10W J
R1736	NRSA02J-823X	MG R	82kΩ 1/10W J
R1737	NRSA02J-104X	MG R	100kΩ 1/10W J
R1738-39	NRSA02J-103X	MG R	10kΩ 1/10W J
R1740	NRSA02J-392X	MG R	3.9kΩ 1/10W J
R1741	NRSA02J-561X	MG R	560Ω 1/10W J
R1742	NRSA02J-563X	MG R	56kΩ 1/10W J
R1746	NRSA02J-103X	MG R	10kΩ 1/10W J
R1747	NRSA02J-0R0X	MG R	0.0Ω 1/10W J
R1748	NRSA02J-103X	MG R	10kΩ 1/10W J
R1749	NRSA02J-472X	MG R	4.7kΩ 1/10W J
R1750	NRSA02J-333X	MG R	33kΩ 1/10W J
R1791-95	NRSA02J-221X	MG R	220Ω 1/10W J
R1796	NRSA02J-103X	MG R	10kΩ 1/10W J
R1797	NRSA02J-153X	MG R	15kΩ 1/10W J
R1802	NRSA02J-750X	MG R	75Ω 1/10W J
R1806	QRE121J-271Y	C R	270Ω 1/2W J
R1807	NRSA02J-680X	MG R	68Ω 1/10W J
R1810	QRG01GJ-560	OM R	56Ω 1W J
R1811	NRSA02J-221X	MG R	220Ω 1/10W J
R1815	QRE121J-181Y	C R	180Ω 1/2W J
R1816	NRSA02J-681X	MG R	680Ω 1/10W J
R1817	NRSA02J-472X	MG R	4.7kΩ 1/10W J

Symbol No.	Part No.	Part Name	Description
<b>RESISTOR</b>			
△ R1901	QRF074K-4R7	UNF R	4.7 Ω 7W J
R1903	QRL02EJ-683X	OM R	68kΩ 2W J
R1921	QRE121J-681Y	C R	680Ω 1/2W J
R1922	QRT029J-1R2	MF R	1.2Ω 2W J
R1923	QRMO59J-R22	MP R	0.22 Ω 5W J
R1926	NRSA02J-222X	MG R	2.2kΩ 1/10W J
R1928	QRL03EJ-563X	O M R	56kΩ 3W J
R1929	QRE121J-822Y	C R	8.2kΩ 1/2W J
R1932	QRE121J-564Y	C R	560kΩ 1/2W J
R1933	QRE121J-180Y	C R	18Ω 1/2W J
R1934	NRSA02J-333X	MG R	33kΩ 1/10W J
R1936	QRGO1GJ-561	OM R	560Ω 1W J
R1941	QRE121J-821Y	C R	820Ω 1/2W J
R1942	NRSA02J-122X	MG R	1.2kΩ 1/10W J
R1943	NRSA02J-473X	MG R	47kΩ 1/10W J
R1944	NRSA02J-103X	MG R	10kΩ 1/10W J
R1974	NRSA02J-222X	MG R	2.2kΩ 1/10W J
R1976	NRSA02J-102X	MG R	1kΩ 1/10W J
R1977	QRE121J-122Y	C R	1.2kΩ 1/2W J
R1978	NRSA02J-473X	MG R	47kΩ 1/10W J
R1979	QRT02EJ-1R2X	M F RESISTOR	1.2Ω 1/10W J
R1980	QRL02EJ-103X	O M R	10kΩ 2W J
R1985	QRE121J-330Y	C R	33Ω 1/2W J
R1986	NRSA02J-682X	MG R	6.8kΩ 1/10W J
R1987	NRSA02J-473X	MG R	47kΩ 1/10W J
R1988	NRSA02J-182X	MG R	1.8kΩ 1/10W J
△ R1991	QRZ0057-825	C R	8.2MΩ 1W J

Symbol No.	Part No.	Part Name	Description
<b>CAPACITOR</b>			
C1001	QETN1HM-106Z	E CAP.	10μF 50V M
C1002	NCB31HK-103X	C CAP.	0.01μF 50V K
C1004	QETN1CM-227Z	E CAP.	220μF 16V M
C1005	QFV71HJ-104Z	MF CAP.	0.1μF 50V J
C1008	QETN1HM-476Z	E CAP.	4.7μF 50V M
C1103	QETN1EM-476Z	E CAP.	47μF 25V M
C1104-07	NCB31HK-472X	C CAP.	4700pF 50V K
C1109	NCB31HK-472X	C CAP.	4700pF 50V K
C1110	NRSA02J-0R0X	MG R	0.0Ω 1/10W J
C1112	QETN1EM-476Z	E CAP.	47μF 25V M
C1113	NCB31HK-472X	C CAP.	4700pF 50V K
C1115-16	NCB31HK-103X	C CAP.	0.01μF 50V K
C1117	QFV71HJ-224Z	MF CAP.	0.22μF 50V J
C1119	QETN1HM-474Z	E CAP.	0.47μF 50V M
C1120	NDC31HJ-121X	C CAP.	120pF 50V J
C1121-22	NCB31HK-103X	C CAP.	0.01μF 50V K
C1161	NCB31HK-103X	C CAP.	0.01μF 50V K
C1162	NCB31HK-102X	C CAP.	1000pF 50V K
C1164-65	NCB31HK-103X	C CAP.	0.01μF 50V K
C1166	NCB21HK-104X	CHIP CAP.	0.1μF 50V K
C1301	NCB21HK-123X	C CAP.	0.012μF 50V K
C1302	QETN1HM-475Z	E CAP.	4.7μF 50V M
C1303	NDC31HJ-100X	C CAP.	10pF 50V J
C1304	QFV71HJ-474Z	MF CAP.	0.47μF 50V J
C1305	QETN1HM-474Z	E CAP.	0.47μF 50V M
C1306	NCB31HK-103X	C CAP.	0.01μF 50V K
C1307	QETN1CM-477Z	E CAP.	470μF 16V M
C1308	QETN1CM-107Z	E CAP.	100μF 16V M
C1309	NCB31HK-103X	C CAP.	0.01μF 50V K
C1310	NDC31HJ-221X	C CAP.	220pF 50V J
C1311	NCB31HK-103X	C CAP.	0.01μF 50V K
C1312	QENC1HM-474Z	BP E CAP.	0.47μF 50V M
C1313	QETN1HM-335Z	E CAP.	3.3μF 50V M
C1314	NCB31HK-103X	C CAP.	0.01μF 50V K
C1315	QETN1CM-107Z	E CAP.	100μF 16V M
C1316	QETN1HM-106Z	E CAP.	10μF 50V M
C1317	NCB31EK-473X	CHIP CAP.	0.047μF 25V K
C1321	NDC31HJ-120X	CER. CAPACITOR-M	12pF 50V J
C1322	NCB21HK-273X	C CAP.	0.027μF 50V K
C1323	QETN1HM-474Z	E CAP.	0.47μF 50V M
C1324	QETN1HM-106Z	E CAP.	10μF 50V M
C1325	QENC1HM-106Z	BP E CAP.	10μF 50V M
C1326	NCS21HJ-221X	C CAP.	220pF 50V J

Symbol No.	Part No.	Part Name	Description
<b>CAPACITOR</b>			
C1341	QETN1HM-106Z	E CAP.	10μF 50V M
C1352	QFZ0097-103	MM CAP.	0.01μF 1250V K
C1354	NDC31HJ-271X	CER. CAPACITOR	270pF 50V J
C1355	NDC31HJ-221X	C CAP.	220pF 50V J
C1356	NDC31HJ-331X	C CAP.	330pF 50V J
C1357	QETN1AM-477Z	E CAP.	470μF 10V M
C1365-67	QENC1HM-105Z	BP E CAP.	1μF 50V M
C1401	QFV71HJ-474Z	MF CAP.	0.47μF 50V J
C1402	QFV71HJ-104Z	MF CAP.	0.1μF 50V J
C1422	QETN1HM-105Z	E CAP.	1μF 50V M
C1423	QCS32HJ-100Z	C CAP.	10pF 500V J
C1424	QFLC2AJ-103Z	M CAP.	0.01μF 100V J
C1426	QFLC1HJ-103Z	M CAP.	0.01μF 50V J
C1427	QETN1VM-107Z	E CAP.	100μF 35V M
C1428	QEHR1VM-107Z	E CAP.	100μF 35V M
C1429	QETN1HM-106Z	E CAP.	10μF 50V M
C1430	QFN32AJ-272Z	M CAP.	2700pF 100V J
C1433	QEHR1HM-475Z	E CAP.	4.7μF 50V M
C1435	QETN1EM-228	E CAP.	2200μF 25V M
C1436	QFV71HJ-334Z	MF CAP.	0.33μF 50V J
C1501	QETN1HM-476Z	E CAP.	47μF 50V M
C1502	NCB31HK-103X	C CAP.	0.01μF 50V K
C1503	QETN1HM-106Z	E CAP.	10μF 50V M
C1504	QETN1CM-227Z	E CAP.	220μF 16V M
C1523	QTMN1VM-476Z	E CAP.	47μF 35V M
△ C1525	QFZ0200-752	MPP CAP.	7500pF1.5kVH ±3%
C1526	QTMN1EM-337Z	E CAP.	330μF 25V M
△ C1527	QFZ0199-334	MPP CAP.	0.33μF 250V J
C1531	QEZ0203-107	E CAP.	100μF 160V M
C1532	NCB21HK-103X	C CAP.	0.01μF 50V K
C1552	QETN1VM-108	E CAP.	1000μF 35V M
C1554	QETN2EM-475Z	E CAP.	4.7μF 250V M
C1555	QFLC2AJ-104Z	M CAP.	0.1μF 100V J
C1571	QETN1AM-107Z	E CAP.	100μF 10V M
C1572	QETN1EM-476Z	E CAP.	47μF 25V M
C1581	QFV71HJ-104Z	MF CAP.	0.1μF 50V J
△ C1582	QFZ0199-404	MPP CAP.	0.4μF 250V J
C1651	QTNC1HM-105Z	E CAP.	1μF 50V M
C1652	QEHR1HM-106Z	E CAP.	10μF 50V M
C1653	QEHR1CM-107Z	E CAP.	100μF 16V M
C1654	NCB21HK-104X	CHIP CAP.	0.1μF 50V K
C1655	QEHO1VM-228	E CAP.	2200μF 35V M
C1656	QEHR1EM-477Z	E CAP.	470μF 25V M
C1657	NCB31HK-472X	C CAP.	4700pF 50V K
C1658	QETN1HM-226Z	E CAP.	22μF 50V M
C1659	QETN1CM-107Z	E CAP.	100μF 16V M
C1663	QEHR1HM-106Z	E CAP.	10μF 50V M
C1664	NCB21HK-104X	CHIP CAP.	0.1μF 50V K
C1665	QEHR1HM-105Z	E CAP.	1μF 50V M
C1705	QETN1CM-477Z	E CAP.	470μF 16V M
C1706	NCB21EK-104X	C CAP.	0.1μF 25V K
C1707	NCB31HK-103X	C CAP.	0.01μF 50V K
C1708	QETN1EM-476Z	E CAP.	47μF 25V M
C1709	NCB31HK-103X	C CAP.	0.01μF 50V K
C1710	QETN1CM-107Z	E CAP.	100μF 16V M
C1711-13	NCB31HK-103X	C CAP.	0.01μF 50V K
C1714-15	NDC31HJ-330X	C CAP.	33pF 50V J
C1716-17	NDC31HJ-181X	C CAP.	180pF 50V J
C1718	NCB31HK-103X	C CAP.	0.01μF 50V K
C1719	QETN1HM-105Z	E CAP.	1μF 50V M
C1720	NCB31HK-103X	C CAP.	0.01μF 50V K
C1721	NCB21HK-333X	C CAP.	0.033μF 50V K
C1722	NDC31HJ-101X	C CAP.	100pF 50V J
C1728-29	NDC31HJ-181X	C CAP.	180pF 50V J
C1730	NCB31HK-103X	C CAP.	0.01μF 50V K
C1738	QETN1HM-226Z	E CAP.	22μF 50V M
C1744	NCB31HK-103X	C CAP.	0.01μF 50V K
C1805	QETN1CM-227Z	E CAP.	220μF 16V M
C1806	QETN1CM-477Z	E CAP.	470μF 16V M
C1811	QETN1HM-106Z	E CAP.	10μF 50V M
C1841	NCB31HK-152X	CHIP CAP.	1500pF 50V K
△ C1901	QFZ9075-104	MM CAP.	0.1μFAC250V k

Symbol No.	Part No.	Part Name	Description
<b>CAPACITOR</b>			
△ C1904	QCZ9082-222Z	C CAP.	2200pFAC250V M
△ C1905	QCZ9082-222Z	C CAP.	2200pFAC250V M
△ C1907	QCZ9082-222Z	C CAP.	2200pFAC250V M
△ C1909	QEZ0199-127	E CAP.	120μF 400V M
△ C1910	QFZ9040-473	MF CAP.	0.047μFAC275V M
C1922	QFLC1HJ-471Z	M CAP.	470pF 50V J
C1924	QETN1VH-107Z	E CAP.	100μF 35V M
C1926	QFLC1HJ-332Z	M CAP.	3300pF 50V J
C1928	NCB21HK-473X	C CAP.	0.047μF 50V K
C1929	QFP32GJ-223Z	PP CAP.	0.022μF 400V J
C1930	QCZ0325-561	C CAP.	560pF 2kV K
C1931-32	QCZ0325-151	C CAP.	150pF 2kV K
C1941	QCZ0122-561	C CAP.	560pF 2kV K
C1942	QEZ0420-107	E CAP.	100μF 160V M
C1945	QEHR1CM-108Z	E CAP.	1000μF 16V M
C1946	QEHR1CM-477Z	E CAP.	470μF 16V M
C1948	QEHR1VH-108Z	E CAP.	1000μF 35V M
C1949	NDC31HJ-471X	C CAP.	470pF 50V J
C1950	NCB21HK-104X	CHIP CAP.	0.1μF 50V K
C1971	QETN1HM-226Z	E CAP.	22μF 50V M
C1972	QETN1CM-107Z	E CAP.	100μF 16V M
C1976	QETN1HM-105Z	E CAP.	1μF 50V M
C1977	QETN1CM-477Z	E CAP.	470μF 16V M
C1978	QETN1CM-227Z	E CAP.	220μF 16V M
C1979	QETN1CM-107Z	E CAP.	100μF 16V M
△ C1991	QCZ9079-471	C CAP.	470pFAC250V K
△ C1992	QCZ9079-471	C CAP.	470pFAC250V K
△ C1993	QCZ9079-102	C CAP.	1000pFAC250V M

<b>TRANSFORMER</b>			
△ T1522	QQH0058-001	H. V. TRANSF.	
△ T1921	QSQ0050-001	SW TRANSF.	

<b>COIL</b>			
L1001	QQL244K-8R2Z	PEAKING COIL	8.2μH
L1101	QQLZ014-2R2	PEAKING COIL	2.2μH
L1103	QQL244K-8R2Z	PEAKING COIL	8.2μH
L1351-53	QQL244K-470Z	PEAKING COIL	47μH
L1523	QQL342J-2R2Z	INDUCTOR	
L1551	QQLZ018-540	HEATER CHOKE	
L1701	QQL39BK-5R6Z	PEAKING COIL	
L1941-43	QQL26AK-820Z	CHOKE COIL	

<b>DIODE</b>			
D1001	MA3330/L/-X	ZENER DIODE	
D1102	1S585-T2	SI DIODE	
D1301-02	MA3091/M/-X	ZENER DIODE	
D1305	RB100A-T2	SI DIODE	
D1306	1SR124-400A-T2	SI DIODE	
D1341-42	MA111-X	SI DIODE	
D1351-53	MA3051/H/-X	ZENER DIODE	
D1354-56	MA111-X	SI DIODE	
D1421-22	MA3360/M/-X	ZENER DIODE	
D1423	1SR124-400A-T2	SI DIODE	
D1424-25	MA111-X	SI DIODE	
D1427	MA3270/H/-X	ZENER DIODE	
D1551	RGP10J-TS-T3	SI DIODE	
D1552	RH15-T3	SI DIODE	
D1553	MA3091/M/-X	ZENER DIODE	
D1554	MA111-X	SI DIODE	
D1571	MA3075/M/-X	ZENER DIODE	
D1581	MA3200/M/-X	CHIP ZENER DIODE	
D1582	RGP10J-TS-T3	SI DIODE	
D1651-52	MA111-X	SI DIODE	
D1653	MA3180/M/-X	ZENER DIODE	
D1703	SPR-39MVMF	L. E. D.	
D1706-07	MA111-X	SI DIODE	
D1731	MA111-X	SI DIODE	

Symbol No.	Part No.	Part Name	Description
<b>DIODE</b>			
△ D1901	G2SBA60	BRIDGE DIODE	
D1921	RGP10J-TS-T3	SI DIODE	
D1922-24	MA111-X	SI DIODE	
D1926	MA3056/M/-X	ZENER DIODE	
D1927	MA3068/M/-X	ZENER DIODE	
D1929	RD12E/B2/-T5	ZENER DIODE	
D1930	EG1A-T3	SI DIODE	
D1932	MA111-X	SI DIODE	
D1933	RD27E/B2/-T5	ZENER DIODE	
D1941	RU3AM-LFC4	SI DIODE	
D1942	RU3YX-LFC4	SI DIODE	
D1943	RGP10J-TS-T3	SI DIODE	
D1945	MA3075/H/-X	ZENER DIODE	
D1973-74	MA111-X	SI DIODE	
D1982-83	MA111-X	SI DIODE	

<b>TRANSISTOR</b>			
Q1102	2SC5083/L-P/-T	SI TRANSISTOR	
Q1103	DTC124EKA-X	DIGI. TRANSISTOR	
Q1161	2SC2412K/QR/-X	SI TRANSISTOR	
Q1301	2SA1037AK/QR/-X	SI TRANSISTOR	
Q1302	2SC2412K/QR/-X	SI TRANSISTOR	
Q1351-53	2SC4722/NP/	SI TRANSISTOR	
Q1401	DTC124ESA-T	DIGI. TRANSISTOR	
Q1402	2SC2412K/QR/-X	SI TRANSISTOR	
△ Q1521	2SK3065-W	CHIP FET	
Q1522	2SC5388-CA	POWER TRANSISTOR	H. OUT
Q1523-24	2SC2412K/QR/-X	SI TRANSISTOR	
Q1571	2SA1208/ST/Z1-T	SI TRANSISTOR	
Q1572	2SC2412K/QR/-X	SI TRANSISTOR	
Q1651	2SA1037AK/QR/-X	SI TRANSISTOR	
Q1652	DTC323TK-X	DIGI. TRANSISTOR	
Q1654-55	2SC2412K/QR/-X	SI TRANSISTOR	
Q1702-03	2SC2412K/QR/-X	SI TRANSISTOR	
Q1705-06	DTC124EKA-X	DIGI. TRANSISTOR	
Q1803	2SC1815/YG/-T	SI TRANSISTOR	
Q1804	2SC2412K/QR/-X	SI TRANSISTOR	
Q1941	2SC2412K/QR/-X	SI TRANSISTOR	
Q1943	DTC114EKA-X	DIGI. TRANSISTOR	
Q1973	2SC2412K/QR/-X	SI TRANSISTOR	
Q1974	2SA966/OV/-T	SI TRANSISTOR	
Q1975	DTC124EKA-X	DIGI. TRANSISTOR	

<b>IC</b>			
IC1301	NNS198K	I C	
IC1421	ANS539-LF	I C	
IC1651	LA4287	I C	
IC1652	SI-5001X-X	I. C (HYBRID)	
IC1701	MN1873287JB	I. C (MICRO-COMP)	
IC1702	AT24C08-21FM	I. C.	(SERVICE)
IC1703	L78LR05E-MA	I. C. (MONO-ANA)	
IC1704	PIC-281435Y	IR DETECT UNIT	
IC1921	STR-G6653	I C	
IC1941	SE115N-LF12	I C	
IC1971	BA51W12ST-V5	I C	

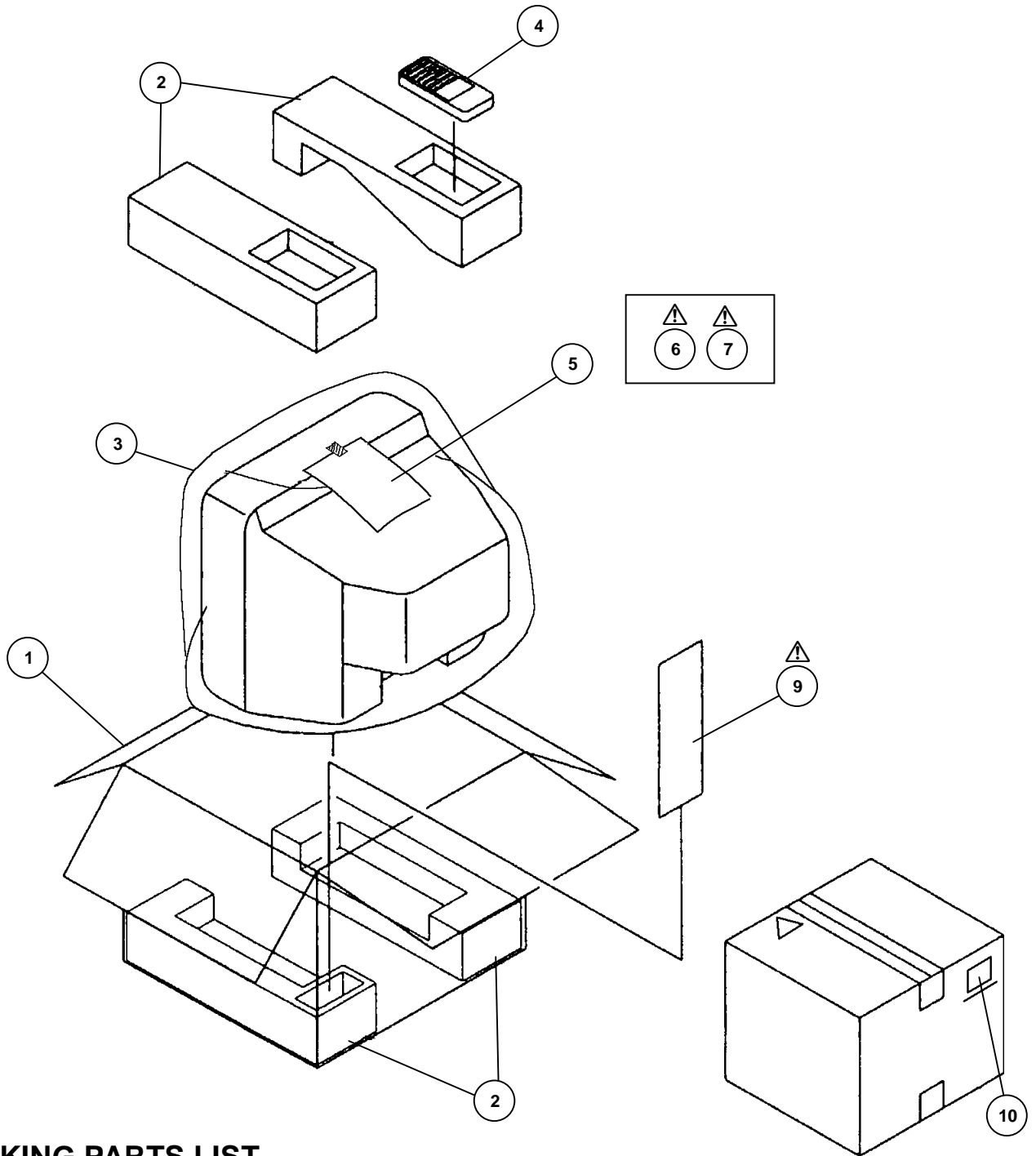
△ Symbol No.	Part No.	Part Name	Description
<b>OTHERS</b>			
	LC30349-001A-H	L. E. D. HOLDER	
	CL1006	QZWO028-001	WIRE CLAMP
	CF1161	SFSH4.5MCB	CERAMIC FILTER
△	CP1981	ICP-N75-Y	I. C. PROTECT
△	CP1982	ICP-N75-Y	I. C. PROTECT
△	F1901	QMF51E2-3R15J4	FUSE 3.15A
	FC1901	CEMG002-001Z	FUSE CLIP
	J1002	CEMN075-001	PIN JACK
	J1003	QNN0281-003	PIN JACK
	J1004	QNN0281-002	PIN JACK
	J1005	QMS3004-C01	HEADPHONE JACK
	K1001	QQR0621-002Z	BEADS CORE
	K1351	QQR0621-002Z	BEADS CORE
	K1421	QQR0582-001Z	BEADS CORE
	K1921-22	QQR1113-001Z	FERRITE BEADS
	K1923	QQR1114-001Z	FERRITE BEADS
	K1924	QQR1113-001Z	FERRITE BEADS
	K1941-43	QQR1113-001Z	FERRITE BEADS
△	LF1901	QQR1095-002	LINE FILTER
△	PC1921	PC123F2	I. C. (PH. COUPLER)
△	RY1971	QSK0061-001	RELAY
	S1701	QSW0619-003Z	PUSH SWITCH VOL +
	S1702	QSW0619-003Z	PUSH SWITCH VOL -
	S1703	QSW0619-003Z	PUSH SWITCH CH +
	S1704	QSW0619-003Z	PUSH SWITCH CH -
	S1705	QSW0619-003Z	PUSH SWITCH MENU
△	S1901	QSW0750-001	PUSH SWITCH POWER SW
	SF1102	QAX0594-001	SAW FILTER
	SF1122	QAX0325-001	SAW FILTER
△	SK1351	CE42554-001	C. R. T. SOCKET
△	TH1901	QAD0101-9R0	P. THERMISTOR
	TU1001	QAU0202-001	TUNER
△	VA1901	QAF0052-621	VARIATOR
	X1301	QAX0500-001Z	CRYSTAL
	X1302	CE42690-001Z	CRYSTAL
	X1701	FCR12.0M2S	CER. RESONATOR

## REMOTE CONTROL UNIT PARTS LIST (RM-C360-1H)

△ Ref.No.	Part No.	Part Name	Description
	25-1168 B	BATTERY COVER	



# PACKING



## PACKING PARTS LIST

△ Ref.No.	Part No.	Part Name	Description
1	GG10056-020A-H	P CASE	4pcs in 1set
2	LC10166-002A-H	CUSHION ASSY	
3	CP30967-002-H	POLY BAG	
4	RM-C360-1H	REMOCON UNIT	
5	CP30966-001-H	POLY BAG	
△ 6	LCT0733-001A-H	INST. BOOK	
△ 7	LCT0734-001A-H	DIGEST MANUAL	
△ 9	CM36447-00A-H	ROD ANTENNA	
10	CM47385-00B-H	POS/SERIAL LABEL	



# JVC

VICTOR COMPANY OF JAPAN, LIMITED  
HOME AV NETWORK BUSINESS UNIT 1106 Heta, Iwai-city, Ibaraki-prefecture, 306-0698, Japan

